



CMR 30

TWO-WAY CEILING MONITOR SPEAKER



Description CMR 30 is a full-range, in-ceiling speaker designed to meet a wide variety of needs, from delivering clear background music in retail spaces to ensuring intelligible speech in meeting rooms. Thanks to its elegant, discreet design and accurate details, this multipurpose speaker effortlessly pairs with any building's aesthetic. The high-quality transducer guarantees precise reproduction across the entire frequency band and provides impressive sound pressure levels for such a compact loudspeaker. Additionally, the bottom passive radiator enhances low frequencies, making it ideal for music playback. Installation is straightforward using two clamps, and the magnetic grille—supplied in both white and black— offers a seamless finish.

- Features**
- › 15W RMS power handling
 - › 104 dB max SPL
 - › 70 ÷ 20000 Hz frequency range
 - › Omnidirectional directivity
 - › 2.5" full range transducer
 - › Passive radiator for low frequencies emphasis
 - › Aluminum body
 - › 2 stainless steel magnetic grilles included
 - › White - RAL 9003 and Black - RAL 9005
 - › Connection on push type terminals

Part Number 13100111 CMR 30

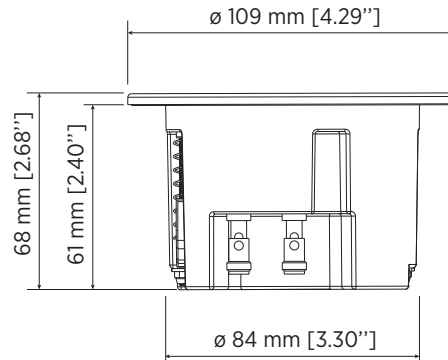
EAN 8024530022266



CMR 30

TWO-WAY CEILING MONITOR SPEAKER

Line Art 2D



TECHNICAL SPECIFICATIONS

Acoustical specifications	Frequency Response (-10dB)	70 Hz ÷ 20000 Hz
	Max SPL @ 1m	104 dB
	Coverage angle	130°
	System Sensitivity	86 dB
	Power section	Amplification
	Nominal Impedance	16 ohm
	Power Handling	15 W RMS
	Peak Power Handling	60 W PEAK
	Recommended Amplifiers	DMA 504, DMA 162, DMA 82, DMA 162P
Transducers	Woofers	1 x 2.5" neo, 1.0" v.c
Input/Output section	Input connectors	Push Type Terminals
	Output connectors	Push Type Terminals
Standard compliance	Safety agency	CE compliant
Physical specifications	Cabinet/Case Material	Aluminum
	Grille	Stainless Steel
Size / Weight	Depth	68 mm / 2.68 inches
	Recessed Depth	61 mm / 2.4 inches
	Diameter	109 mm / 4.29 inches
	Cut out diameter	86 mm / 3.39 inches
	Weight	0.37 kg / 0.82 lbs