

WMF 33EN

TWO-WAY PASSIVE WALL MOUNT SPEAKER

DESCRIPTION

WMF 33EN is a two-way wall mount speaker designed for both horizontal and vertical installation. It is especially suitable for broadcasting background music into commercial spaces, but also includes alarm messages with highly intelligible voice reproduction and EN 54-24 certification. It features a UL rated plastic cabinet with a steel magnetic grille and is easy to install with its smart support system. The terminal connection blocks, for input and output flameproof cables, are made of ceramic material. A thermal fuse protects the integrity of the line in case of heat affecting the speaker.



FEATURES

- 2 x 3" full-range transducers with 1" dome tweeter
- Power selectable (70 V / 100 V): 40 W - 20 W - 10 W - 5 W - 2.5 W
- 88 dB sensitivity
- Colour black RAL 9005
- Voice Alarm EN 54-24 Certified
- In/out ceramic terminal block
- Thermal fuse protection
- Connections integrated in the wall support
- UL rated plastic enclosure

TECHNICAL SPECIFICATIONS

Acoustical specifications	Frequency Response (-10dB):	80 Hz ÷ 22000 Hz
	Max SPL @ 1m:	105 dB
	Max SPL @ 4m:	93 dB
	Horizontal coverage angle:	100°
	Vertical coverage angle:	160°
	System Sensitivity:	88 dB
	System Sensitivity 1W @ 4m:	76 dB
Power section	Nominal Impedance (ohm):	8 ohm
	Power Handling:	40 W RMS
	Peak Power Handling:	160 W PEAK
	Recommended Amplifier:	80 W
	Protections:	Thermal fuse - PTC
	Crossover Frequencies:	2500
Transducers	Dome Tweeter:	1.0" neo, 1.0" v.c
	Nominal Impedance (ohm):	8 ohm
	Input Power Rating:	15 W AES, 30 W PROGRAM POWER
	Sensitivity:	90 dB, 1W @ 1m
	Woofer:	2 x 3.0", 1.0" v.c
	Nominal Impedance (ohm):	16 ohm
	Input Power Rating:	20 W AES, 40 W PROGRAM POWER
Sensitivity:	85 dB, 1W @ 1m	
Input/Output section	Input connectors:	Ceramic screw terminals
	Output connectors:	Ceramic screw terminals
	Constant Voltage Transformer:	70/100 V
	Power selection 1:	40 W - 250 ohm
	Power selection 2:	20 W - 500 ohm
	Power selection 3:	10 W - 1000 ohm
	Power selection 4:	5 W - 2000 ohm
Power selection 5:	2.5 W - 4000 ohm	
Standard compliance	EN54-24 certified:	Yes
	CE marking:	Yes
	CPR number:	0068/CPR/057-2019
Physical specifications	Cabinet/Case Material:	ABS
	Hardware:	Wall mount bracket
	Grille:	Steel
	Color:	Black - RAL 9005
Size	Height:	399 mm / 15.71 inches
	Width:	92 mm / 3.62 inches
	Depth:	236 mm / 9.29 inches
	Weight:	5 kg / 11.02 lbs



Shipping informations

Package Height:	186 mm / 7.32 inches
Package Width:	596 mm / 23.46 inches
Package Depth:	276 mm / 10.87 inches
Package Weight:	7 kg / 15.43 lbs

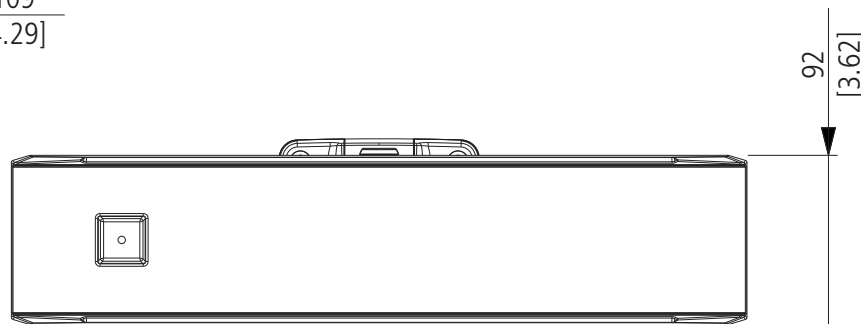
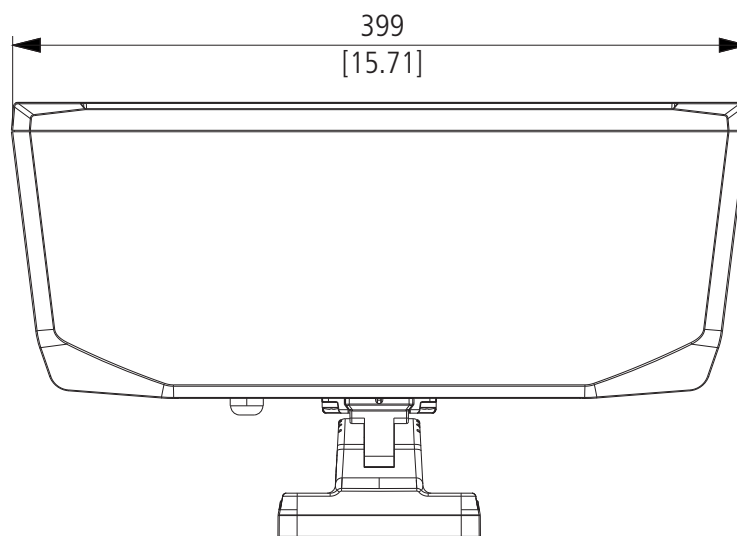
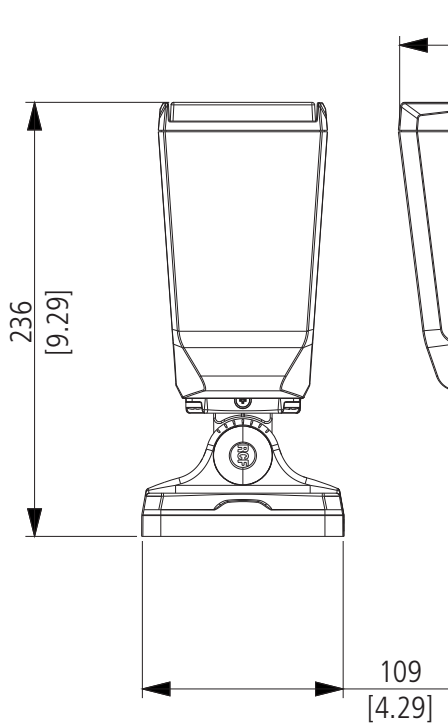
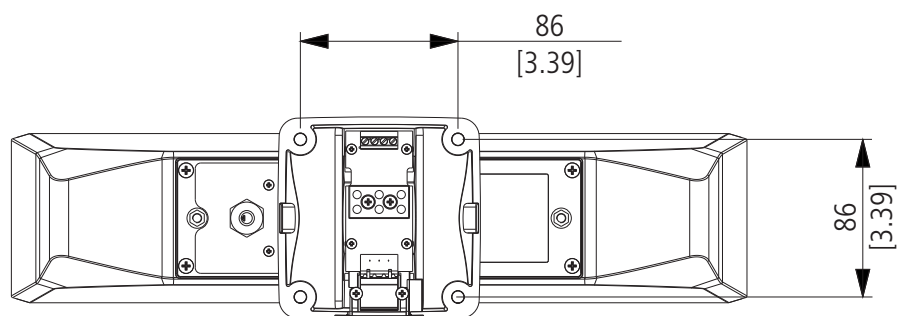
PART NUMBER

- **13100046**
WMF 33EN

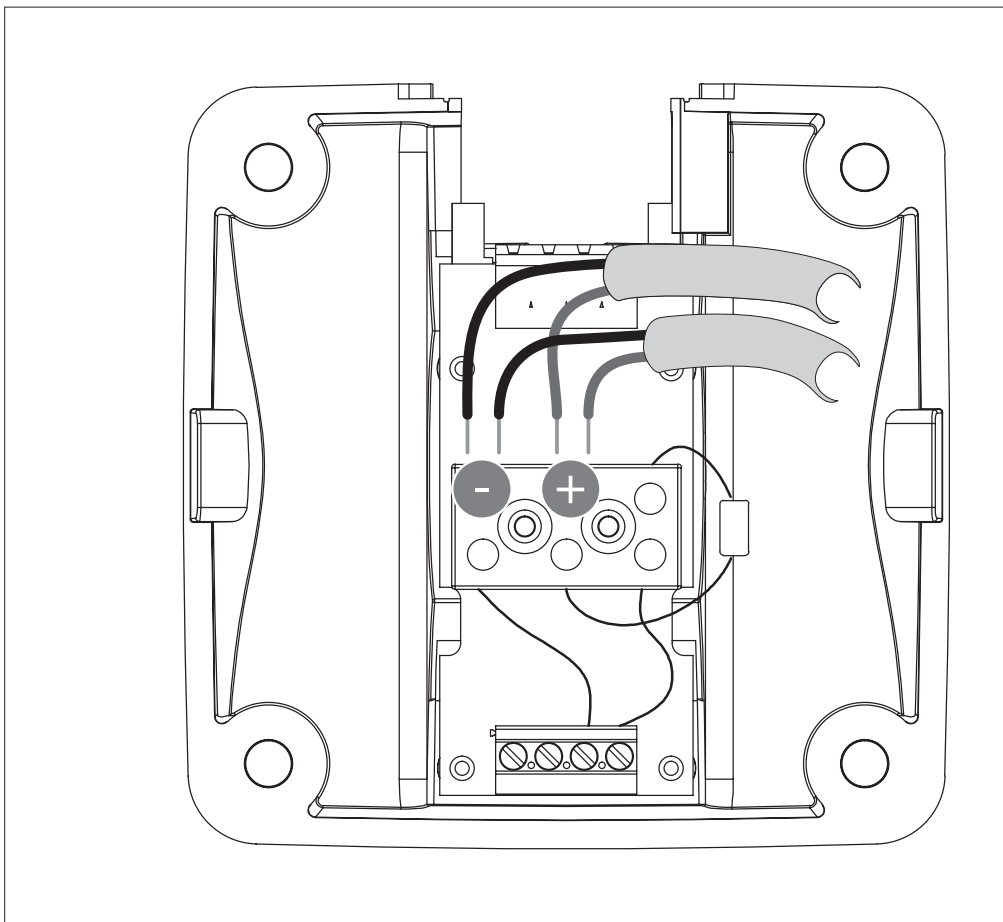
EAN 8024530017170

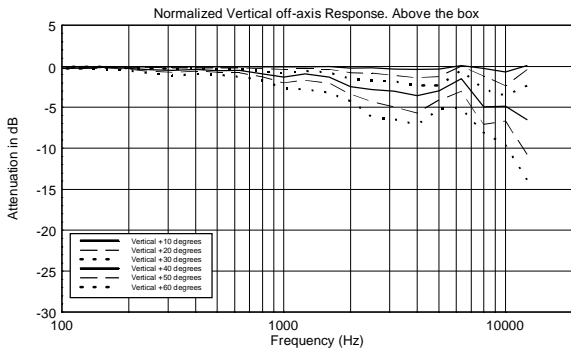
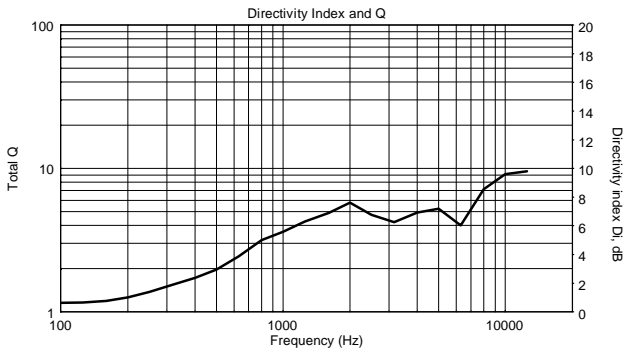
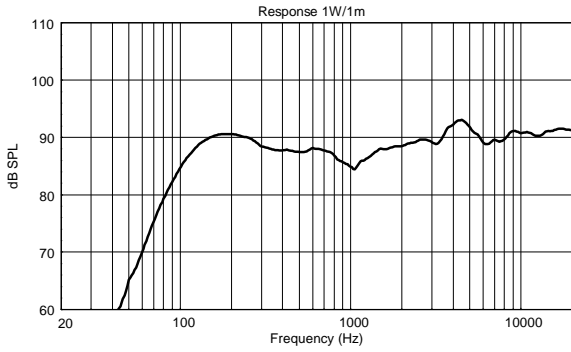
DRAWINGS

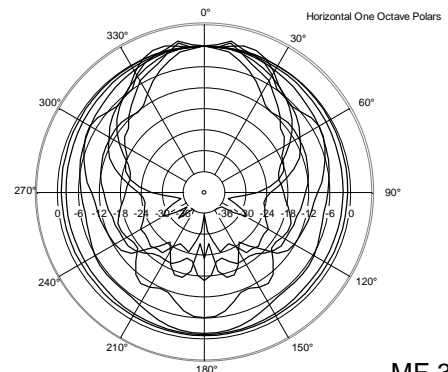
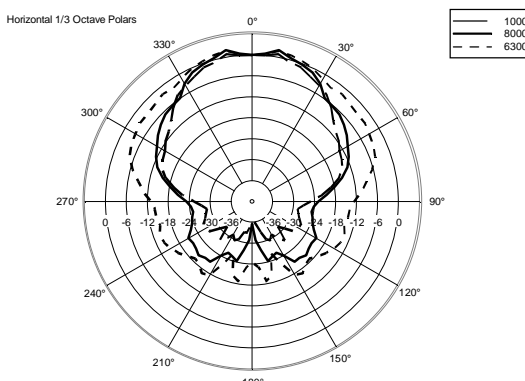
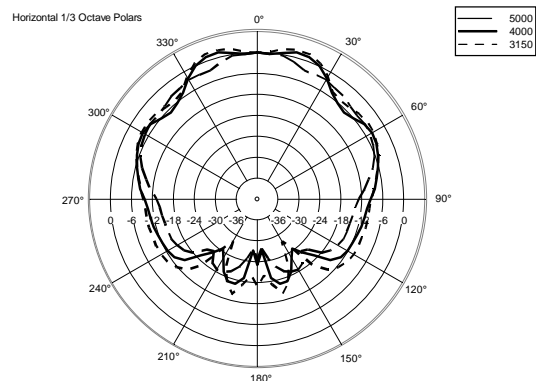
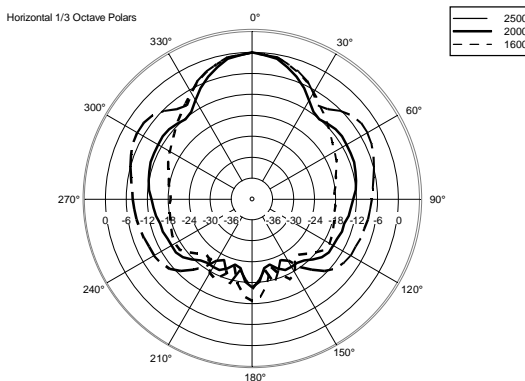
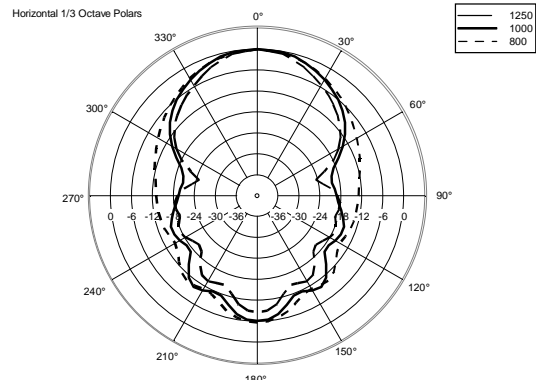
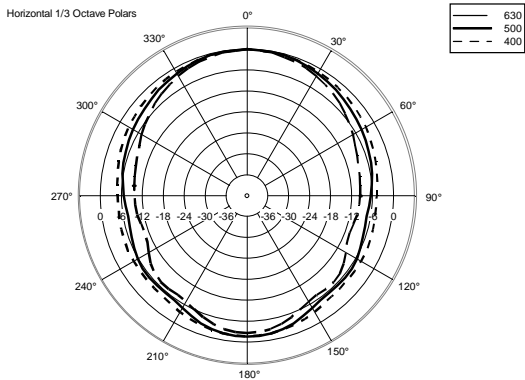
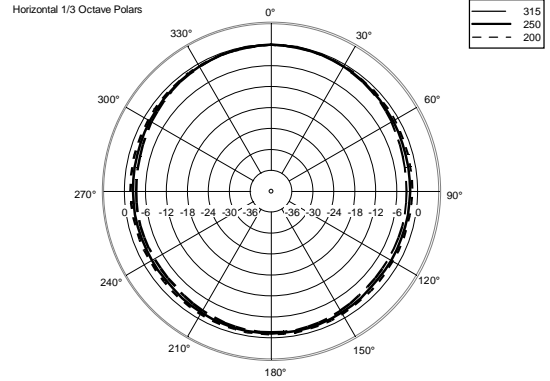
mm
[inches]

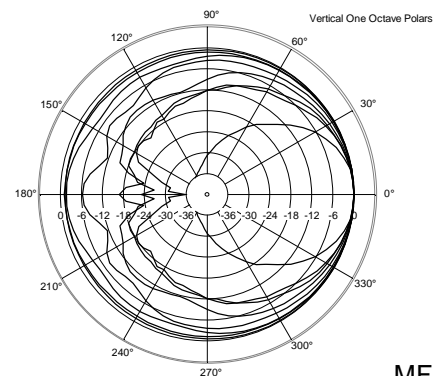
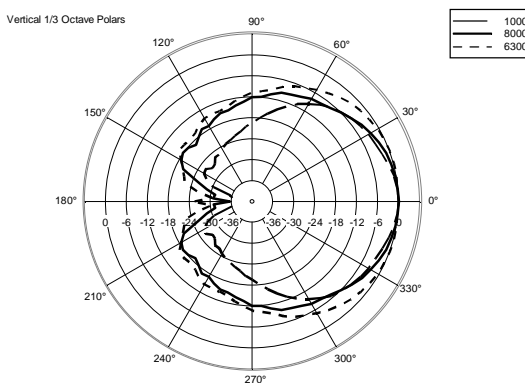
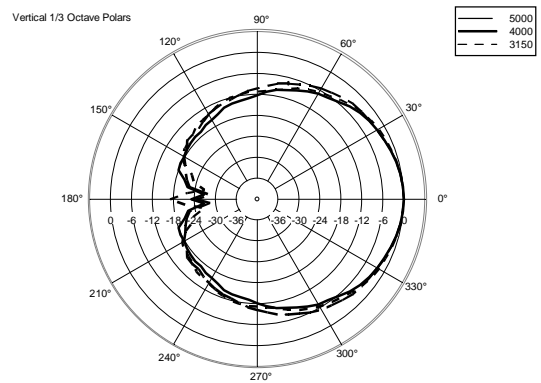
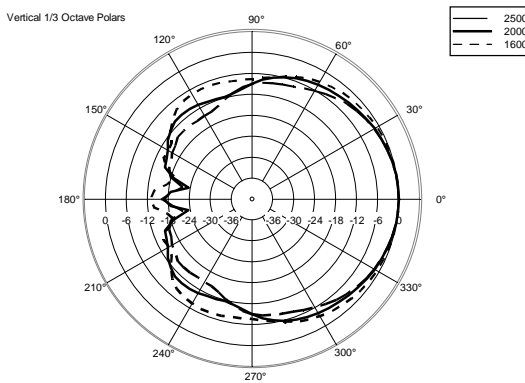
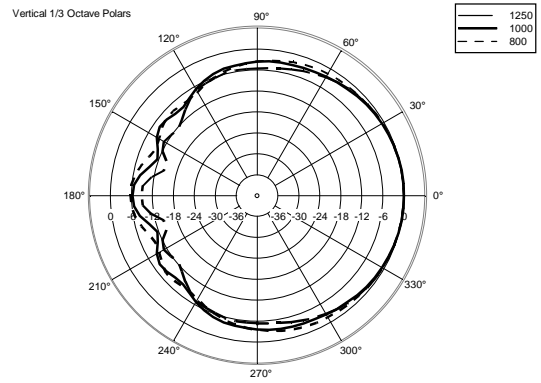
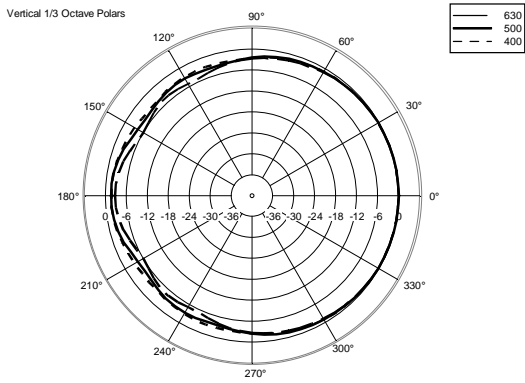
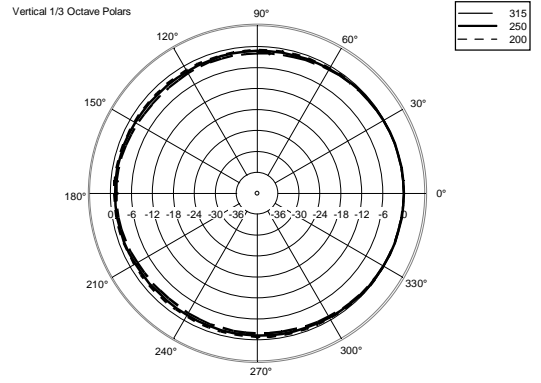


SCHEMATICS











A&E SPECIFICATIONS

The product shall be a two-way wall-mounted speaker designed for either horizontal or vertical installation, especially suitable for broadcasting background music into commercial spaces, but also alarm messages thanks to the highly intelligible voice reproduction and the EN 54-24 certification. It shall feature a plastic cabinet with steel magnetic grille and is extremely easy to install thanks to its smart support system. The terminal connection blocks, for input and output flameproof cables, shall be made of ceramic material. A thermal fuse shall protect the line integrity in case of heat affecting the speaker.

NOTES

NO CAUTION is NECESSARY in case of ALERTED PERSON for AUDIO voltages up to 120V, when warning symbols are present near the connection terminals. In the case of AUDIO voltages up to 71V, it is not even necessary to put warning symbols.
No need of linking to earth metal parts of speakers equipped with transformers and connected to 70.7 V / 100 V outputs of power amplifiers that do not have any reference to earth (ref. EN 62368-1 item 4.3.2.2), unless specific local requirements.