

Model AV-LN4 Line Level Audio to Network Interface

- AV-LN4 Line Level Audio to Network Interface
- Dante Network Interface for Four Audio Line-Level Inputs
- Each XLR Input Provides a Network Digital Audio Level of -20 dBFS for a Balanced +4 dBu Input
- Four XLR Front-Panel Inputs
- Dual-LED VU Meter for Each Input
- Special Software Not Required for Module Setup
- High Resolution 24 Bit Analog to Digital Conversion
- LED Indicator for Valid Power and Network Sync
- Operation from PoE Power (Class 0, IEEE 802.3af) or external 24 Vdc
- Mounts on a Microphone Stand using an RDL SF-MSM1



AV-PAK products are heavy duty modules intended for rugged field use. Functions include interface, isolation, ground-lift and signal dividing/combining and amplification. AV-PAKs are engineered to provide higher performance and better shielding than other industry products. Standard connector types are provided for direct connection and operation by end users. The heavy duty extruded aluminum and steel chassis are finished in a high quality powder coat. The heavy chassis and dark color style make AV-PAKs ideal for both stage use and permanent installation. AV-PAK modules are designed and manufactured in the U.S.A.

APPLICATION: The AV-LN4 is an interface that converts four line-level XLR inputs to Dante network audio channels. Special software is not required to configure the AV-LN4. A dual-LED VU meter displays the level for each. The AV-LN4 is a professional grade product for studio quality fidelity and low noise performance.

The AV-LN4 may be powered from an external 24 Vdc power supply, available separately. The AV-LN4 is equipped to operate from a PoE enabled network switch. The AV-LN4 will reserve power from the switch even while being powered from an external 24 Vdc supply. If PoE power and an external 24 Vdc supply are both feeding an AV-LN4, the unit will run from the external supply and will seamlessly switch over to PoE power upon loss of the external supply. Valid power and synchronization to the Dante network is indicated by a green LED visible from the front of the unit.

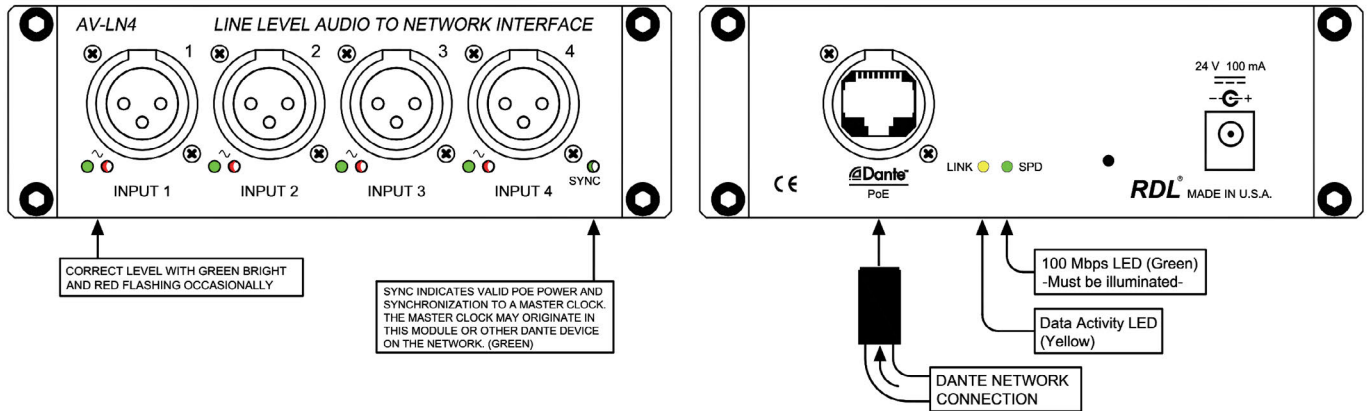
The AV-LN4 is constructed in a durable, professional all-metal enclosure suitable for use on stage or in studio, or mounted to any flat surface. For fixed installations, mounting brackets are included. The chassis is designed to protect the front panel slide switches from accidental damage. This full-featured AV-PAK product is engineered and manufactured in the U.S.A for continuous duty in demanding installations.

Model AV-LN4

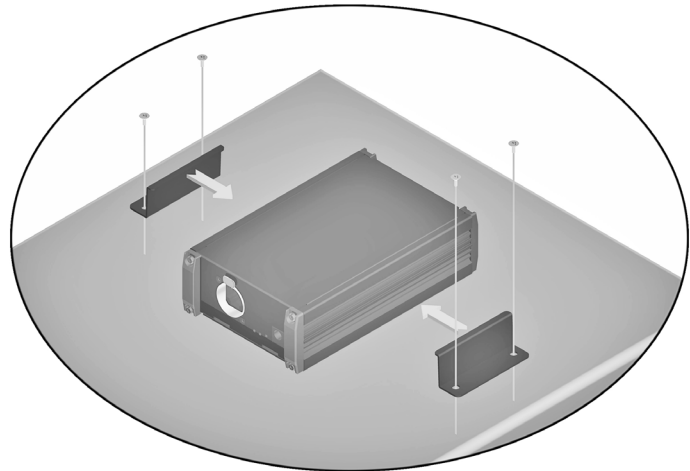
Line Level Audio to Network Interface

Installation/Operation

CE Declaration of Conformity available from rdlnet.com.
Sole EMC specifications provided on product package.
Specifications are subject to change without notice.



- 1) Place the two included mounting brackets on either side of the unit as shown.
- 2) Secure the brackets to the mounting surface with four user provided screws.



TYPICAL PERFORMANCE

Network Connector:	RJ45 Neutrik® etherCON®-style
Digital Audio Ethernet Protocol:	Dante
Transmission Rate:	100 Mbps
Sample Rates Supported:	44.1 kHz, 48 kHz (default)
Bit Depth Supported:	24 bits
Audio Operating Level:	-20 dBFS = +4 dBu
Reference Level:	0 dBFS = +24 dBu
Inputs (4):	XLR (female)
Input Level (-20 dBFS):	+4 dBu
Input Level (maximum):	+24 dBu
Input Impedance:	> 50 kΩ
Frequency Response:	20 Hz to 20 kHz (± 0.1 dB)
Noise below +4 dBu:	< -85 dB
THD+N:	< 0.025% (20 Hz to 20 kHz, +4 dBu/-20 dBFS); 0.005% at 1 kHz (typ)
CMRR:	> 70 dB (50 Hz to 120 Hz)
Crosstalk:	< -80 dB (20 Hz to 20 kHz at operating level, any input to any input); < -85 dB (1kHz)

Indicators (7):	Ethernet Link and Speed (2, rear panel); Sync (front panel); dual-LED VU meter (4, front panel)
Ambient Operating Environment:	0° C to 50° C
Power Requirement:	PoE Class 0, IEEE 802.3af, or 24 Vdc @ 500 mA, Ground-referenced
Specification Conditions:	Gain/Level: ± 1 dB; Source termination: 150 Ω; A to D values measured in digital domain
Dimensions:	5.19" (13.18 cm) W; 1.68" (4.27 cm) H; 5.97" (15.16 cm) D
Package Type:	Cardboard Box
Package Dimensions:	7 x 4.375 x 2.25 in.
Shipping Weight:	1.77 lb
WEEE weight:	1.525 lb
Tariff code:	8517.18.0050

Radio Design Labs Technical Support Centers

U.S.A. (800) 933-1780, (928) 778-3554; Fax: (928) 778-3506
Europe [NH Amsterdam] (+31) 20-6238 983; Fax: (+31) 20-6225-287